

radius



PRT66EM

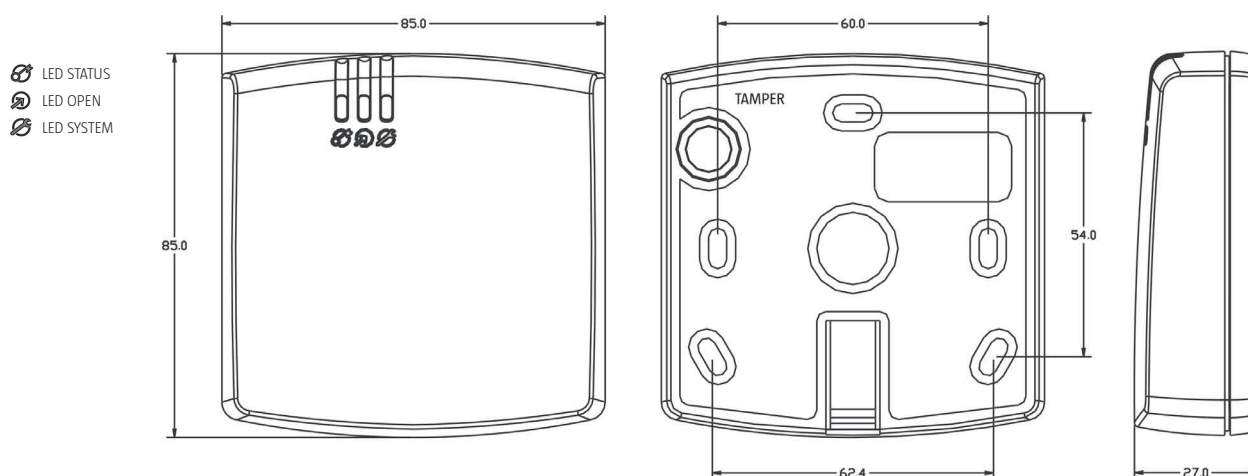
Each PRT66EM series reader can be used as an universal identification point connected to the access controller or configured for autonomous work, as a simple access controller for a single door. In the first case, the reader's functionality is limited only to reading an identifier (card/PIN) and sending data to an external controller, which takes further action. In case of work in a standalone mode, PRT66EM terminals can independently supervise a single door using data entered in the process of their configuration.



Features:

- EM 125 kHz cards
- Programmable data output format
- Formats: Wiegand 26-66bit, Magstripe (Clock and data), RS232, RACS (Roger) and others
- Various ways of PIN and keypad codes transmission
- LED and Buzzer controlled through separate inputs
- Outdoor installation
- Can be used for Q5 card programming (required licensed version of RARC program)
- Programmed manually or from PC
- Free managing software (RARC)
- May operate as an offline standalone access controller
- 120 indexed users
- Authentication: Card and/or PIN
- Event log for 3000 transactions
- Built-in programmable 1.5A/30V relay output
- Two NO/NC inputs
- Two transistor outputs
- Operation with XM-2 I/O extension module
- Possible connection of the external PRT series reader (two way door control)
- Tamper
- CE mark

PRT66EM views and installation diagram



Available versions and symbols

Symbol	Description
PRT66EM-G	Dark grey case
PRT66EM-S	Silver-metallic case

Technical Specification

Parameter	Value
Supply voltage	10-15 VDC
Current consumption (average)	45mA
Anti-sabotage protection (Tamper)	NC contact, 50mA/24V, IP67
Reading distance	Up to 15 cm
Environmental class	Class IV, outdoor-general, temperature: -25°C +60°C, relative humidity: 10 to 95% (non condensing)
Dimensions H x W x D	85 X 85 X 27 mm
Weight	≈120g
Approvals	CE

ROGER sp.j
Gościszewo 59
82-400 Sztum
Poland

T. +48 55 272 0132
F. +48 55 272 0133
E. roger@roger.pl
I. www.roger.pl

roger®