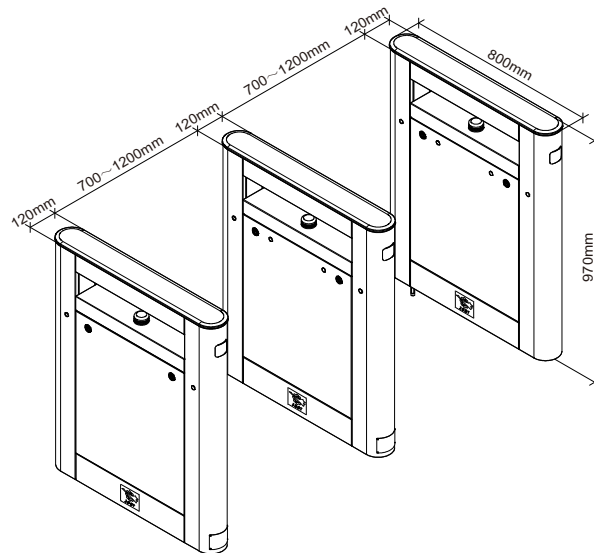


Free Passage Gate



Specifications

Model No. JSTZ5902
Power supply: 110V or 220V $\pm 10\%$ 50Hz/60Hz
Working temperature: $-25^{\circ}\text{C} \sim 65^{\circ}\text{C}$
Relative humidity: $\leq 95\%$ no condensation
Input interface: DC 12V level signal or pulse signal,
pulse width $> 100\text{ms}$, driving current $> 10\text{mA}$
Communication interface: RS485 standard
Communication distance: maximum 1200m
Pass speed: 40-50people/minute (reading card mode)
45-55people/minute (RFID card mode)
MTBF: 3million times
Application: Indoor
Dimension: 800mm (L)*120mm(W)*960mm(H)



Features

- > Accessible passing mode with higher traffic efficiency.
- > With passenger detection function, voice alarm and snap picture on DVD for illegal break.
- > Build-in Middle range card reader, passing through no need slapping card. (Request specific middle range card reader)
- > Auto-checking failure and alarm function, which facilitate the maintenance and repairing.
- > Intelligence passage counting display, face snap function.
- > Humanized lane indicator function, show machine status to passenger.
- > Intelligence voice prompt function.