

Tripod Turnstile

Specifications



Model No. JSTZ4804

Power supply voltage: AC110V±10% or AC220V±10%, 50Hz/60Hz

Power: 30W

Working temperature: -25°C ~65°C

Relative humidity: ≤90%, no condensation

Passing speed: 35 persons/min(normal open)
20 persons/min(normal close)

Noise: ≤ 65dB

Application environment: indoor/outdoor

Protection grade: IP44

None failure running times: ≥5 million times

Dimension: 420mm*330mm*980mm

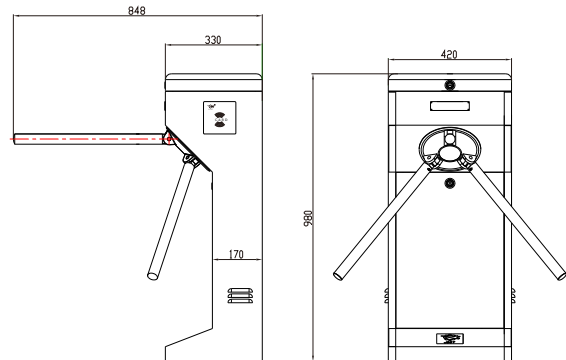
Maximum channel width: 600mm

Input interface: DC12V level signal or pulse width≥120ms pulse signal,
driving current ≥10mA

Communication interface: RS485

Features

- > Using special ARM chip and digital orientation technology for more stable control and better arm control accuracy.
- > Three closed circle motor control system and professional digital gear angle detector make the turnstile running smoothly, The lock is sensitive and reliable, arm positioned with high accuracy.
- > Master/slave control system-----good anti-disturb ability, signal transfer is reliable .
- > Multi-control mode for choose, suit different management requirements.
- > Drop arm when power off, lift arm when power on, tele-control arm, drop arm when fire emergency.
- > Alarms when invalid pass.
- > Red and green light display and voice speaker.
- > Counting function: record the passing times and the records can be cleared up from menu
- > Remember the open signal function.
- > Lock the arm when invalid passes.
- > Self-test let solve the problem easy.
- > Reserved standard RS485 communication interface.



Cases



WNS shopping mall in Philippines



Shenzhen Expo Garden