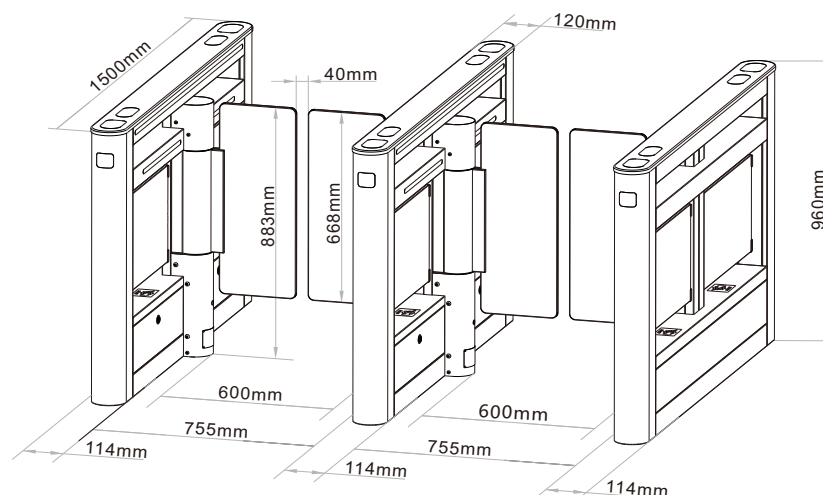


## Swing Gate



### Specifications

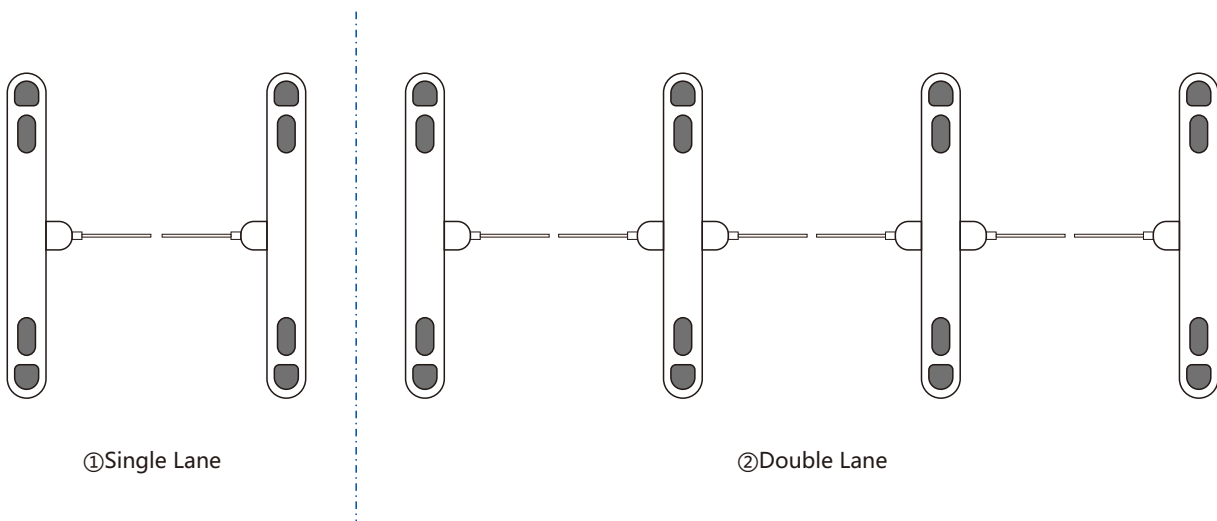
Model No. JSTZ3902  
Power Supply: 110V or 220V  $\pm 10\%$  50Hz/60Hz  
Working temperature:  $-25^{\circ}\text{C} \sim 65^{\circ}\text{C}$   
Relative Humidity:  $\leq 95\%$  no condensation  
Open/Close Speed: 0.4~1.0s Adjustable  
Power Rating: 100W  
Input Interface: DC 12V level signal or pulse signal, pulse width  $>100\text{ms}$ , driving current  $>10\text{mA}$   
Communication interface: RS485 standard  
Communication distance: maximum 1200m  
Operation Noise:  $\leq 65\text{dB}$   
Lane Width: 600mm  
Pass Speed: 20-30people/minute (Normal Open Mode), 15-20people/minute (Normal Close Mode)  
MTBF: 3million times  
Application: Indoor  
Dimension: 1500mm (L)\*120mm(W)\*960mm(H)



## Features

- > Full modernized design, fast pass speed.
- > Slim machine structure, save the installation space.
- > Humanized passage indicator, clearly show equipment status.
- > Build-in mini camera, take picture when slapping card, which can link with DVR.
- > Full passage protection such as anti-clap function, firm linkage protection, auto open when power off, ensure the safety for different status(normal & emergency)
- > Build-in middle range card reading mode, passing through without slapping card.
- > Support multiple medium such as 2D card, IC card, and can be used in visitor management system.

## Layouts



## Cases



Shanghai EXPO



Shanghai EXPO